

CMRI CERT NO. :- CIMFR/TC/SR/H483
 SUPPLE. T.C. NO. :- CIMFR/TC/S/H144
 CAT. NO./TYPE NO. :- KJB-A-05

TECHNICAL DATA

ENCLOSURE :-
 EX-d AS PER IS/IEC 60079-1:2007

PROTECTION :-
 IP-66 AS PER IS 12063-1987 (IS/IEC 60529:2001)

AREA CLASSIFICATION :-
 ZONE -1 & 2

TEMPERATURE CLASS :-
 T6

GAS GROUPS :-
 IIB

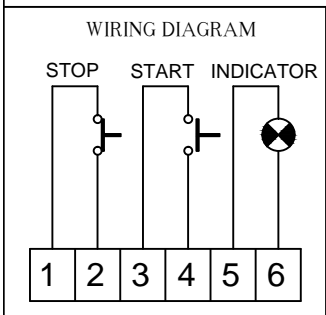
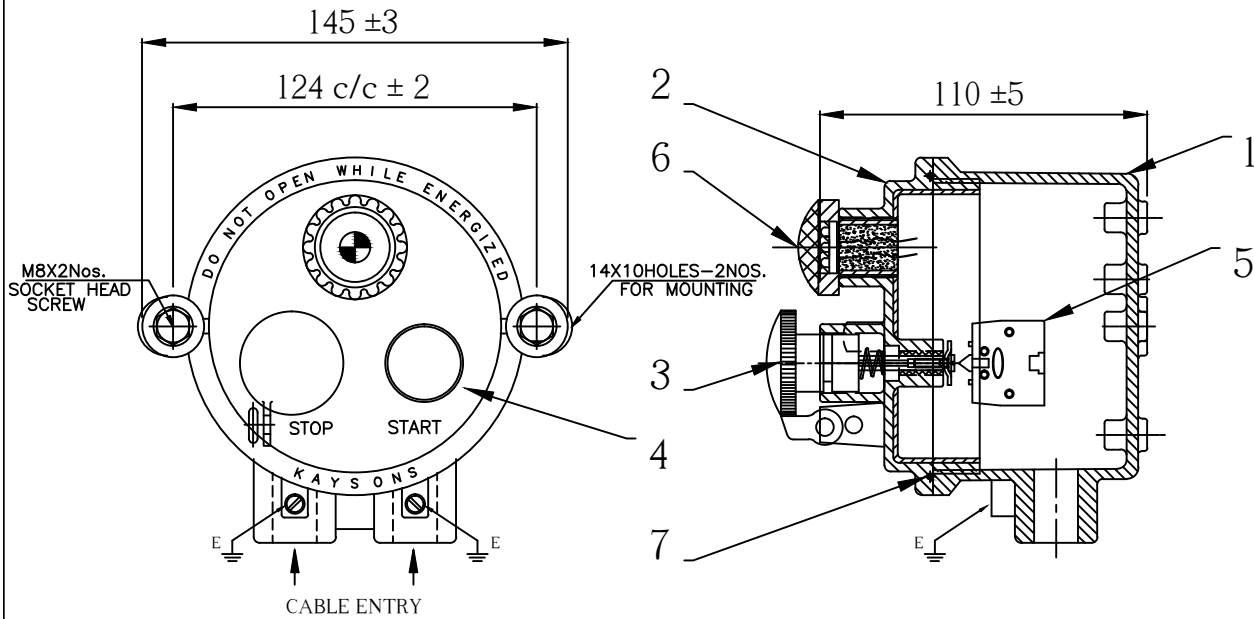
MATERIAL OF CONSTRUCTION :-
 DIE CAST AL. ALLOY LM-6

HARDWARE :-
 STEEL ZINC PLATED/STAINLESS STEEL

FINISH :-
 LIGHT GREY

EARTHING :-
 1 NO. INSIDE & 2 NOS. OUTSIDE

CABLE ENTRY :-
 M20x1.5P / 3/4"ET - 2NOS.



07.	GASKET (ENDLESS, MOULDED)	1	NEOPRENE
06.	INDICATING LAMP	1	A.R.
05.	CONTACT ELEMENTS (1NO+1NC)	2	-
04.	ACTUATOR GREEN SHROUDED	1	P.P.
03.	ACTUATOR RED-MUSHROOM HEAD	1	P.P.
02.	MAIN BODY COVER	1	DIE CAST AL. ALLOY
01.	BODY	1	DIE CAST AL. ALLOY
NO.	DESCRIPTION	QTY	MAT./RATING

CLIENT :-	DRAWN	KBP	1.8.13	DESCRIPTION:-
CONSULTANT :-	APP'D	HPB	1.8.13	FLP WP CONTROL STATION START-STOP PUSH BUTTON & INDICATING LAMP
P.O.NO. :-	CH'D	NPB	1.8.13	

THE INFORMATION CONTAINED IN THIS DRAWING IS THE PROPERTY OF KAYSONS TECHNO EQUIPMENTS PVT. LTD. AND IS NOT TO BE COPIED OR MISUSED IN ANY WAY.

ISSUE	DATE	BY	MODIFICATION

KAYSONS 1802/7, G.I.D.C. ESTATE,
 TECHNO EQUIPMENTS PVT LTD V.U.NAGAR 388121. (GUJARAT)

SHT.NO.	REV.	DRG.NO.:-
1 OF 1	0	B25